

# *iTracksafe*

## **iTracksafe GPS User Manual**

**v1.0.5**



**Note:**The first time you use this device,you need to charge it for more than 3 hours.

Hard wired GPS tracker please hard wired it with vehicle/motorcycle according to the wiring diagram, portable gps tracker just insert sim card can turn on it.

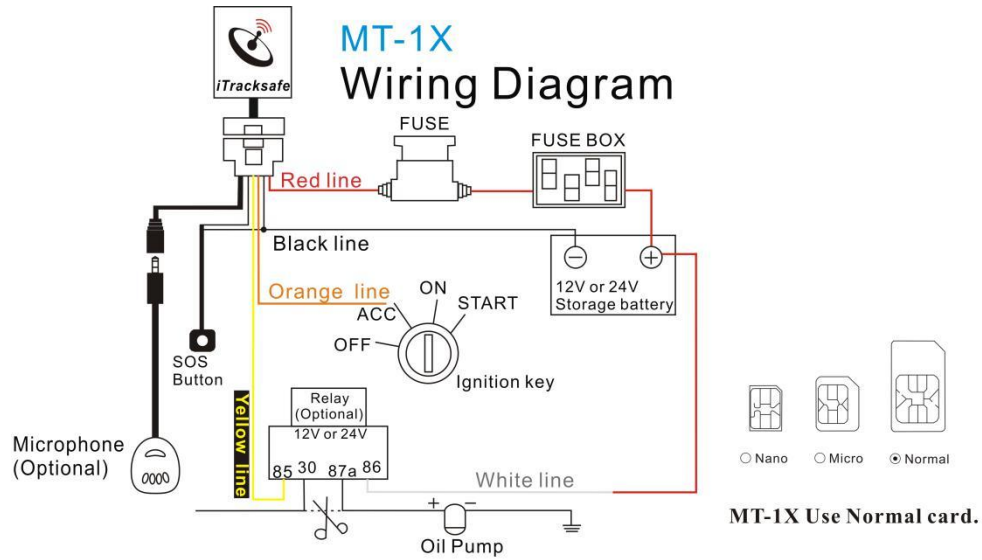
Default: Stop uploading when device in sleep mode. Sleep mode can activate by phone call/sms/move.

### **Indicator light description**

<b>INDICATOR LIGHT STATUS</b>	<b>MEANING</b>
<b>Yellow light -Flash</b>	<b>No GPRS signal</b>
<b>Yellow light -Solid</b>	<b>GPRS connection</b>
<b>Blue light -Flash</b>	<b>No GPS signal</b>
<b>Blue light -Solid</b>	<b>GPS connection</b>
<b>LED light -off</b>	<b>Device power off or sleep</b>

### Wiring Diagram For MT-1X

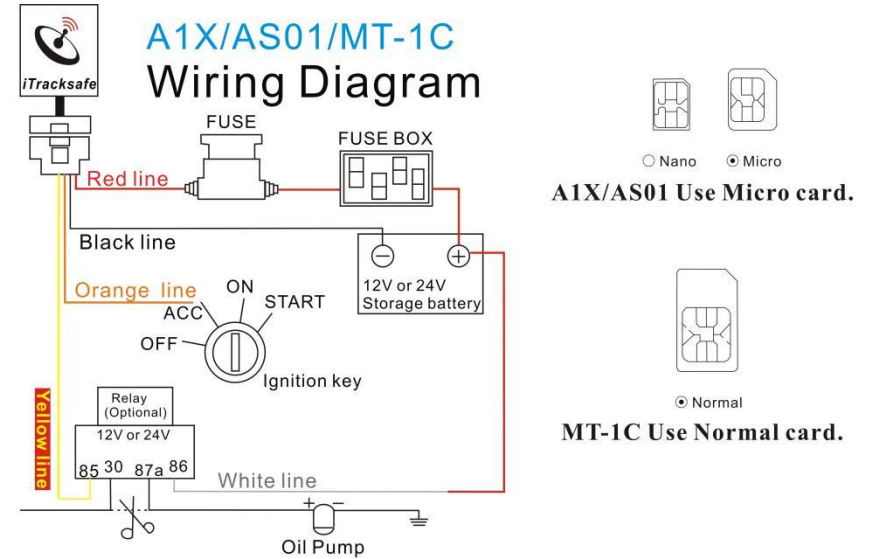
Red: Power +/ Black: GND(-)/ Orange: ACC/ Yellow: Cut oil



Please choose 12V or 24V relay according the voltage of the car battery.

### Wiring Diagram For A1X/AS01/MT-1C

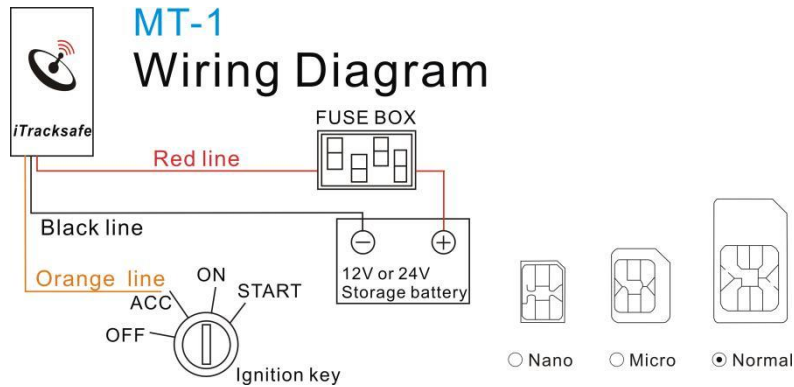
Red: Power +/ Black: GND(-)/ Orange: ACC/ Yellow: Cut oil



Please choose 12V or 24V relay according the voltage of the car battery.

## Wiring Diagram For MT-1

Red:Power +/Black:GND(-)/Orange:ACC



**Please insert a SIM card support GSM/GPRS network into the slot.**

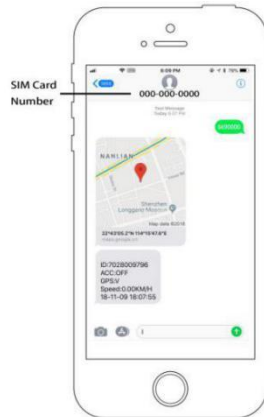
### 1.SMS Tracking

Text the number 6690000 to the gps tracker sim phone number, gps tracker will reply a google maps locationa link.you will receive a Google Maps link of position, when sending message “6690000” to SIM card phone number in tracker .

Command:6690000

Reply:Google link

E.g:6690000



Factory default: ip s2.itracksafe.com 8000

Apn::internet

**Default password:0000**

### 2. START ONLINE TRACKING

**Set server IP address and Port**

Command: 804+user password+space+IP+space+Port

Eg: 8040000 s2.itracksafe.com 8000

Reply: SET SERVER IP AND PORT OK

**Set APN by following steps.**

Every sim card carrier has own APN content, contact carrier directly to get their APN, or check sim card carrier on internet or put sim card into cell phone to find out APN.

INSTRUCTION	COMMAND	REPLY
<b>E.g 1:</b> Set APN ( any existing will be replaced)	803+0000+space+APN Content	apn ok
<b>E.g 2:</b> Set APN , APN username, APN Password(If requires apn username+space+APN Password name and apn password)	803+0000+space+APN content+space+APN user	apn ok

### COMMAND INSTRUCTION TO SET APN

**E.g 1**

For China mobile SIM Card in China, we got APN information below.

Data APN: internet

APN User name:null

APN Password: null

Send below sms to set APN:8030000 internet

**E.g 2:**

For MTK mobile SIM card in Nigeria, we got APN information below.

APN name:web.gprs.mtnnigeria.net

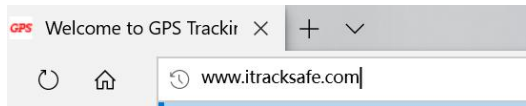
APN username:web

APN password:web

Send below SMS to set apn below: 8030000 web.gprs.mtnnigeria.net web web

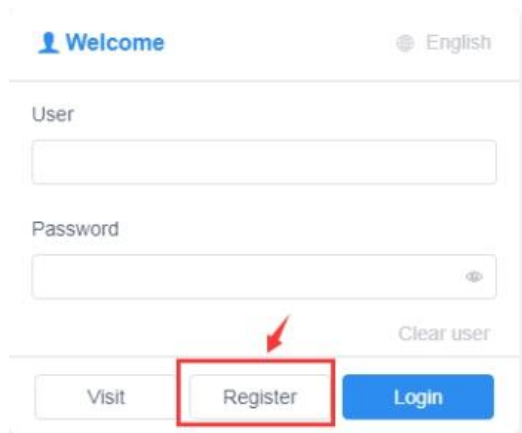
**2.1 WEBSITE TRACKING ON COMPUTER(Operate from the computer platform)**

Platform: <https://www.itracksafe.com>

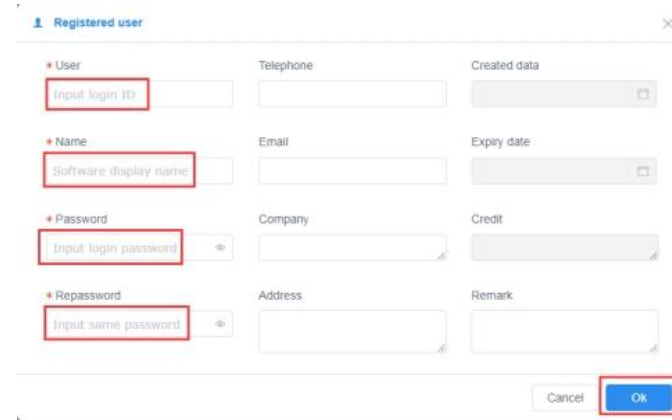


**Note: If you do not have computer, then check user manual 2.2 directly, register on mobile application “itracksafe plus” on your mobile phone.**

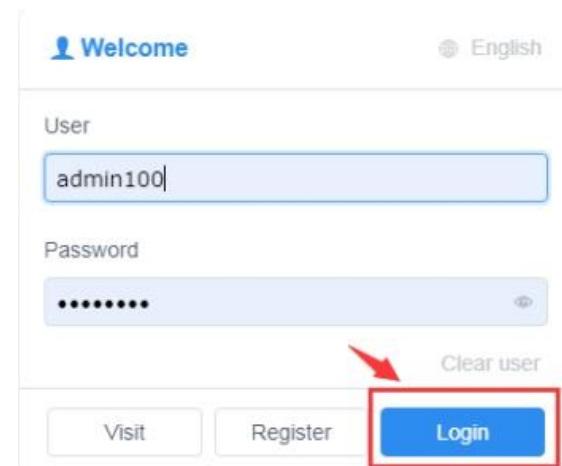
2.1.1 Register login group user name via yourself,you can manage multi-devices in one account.



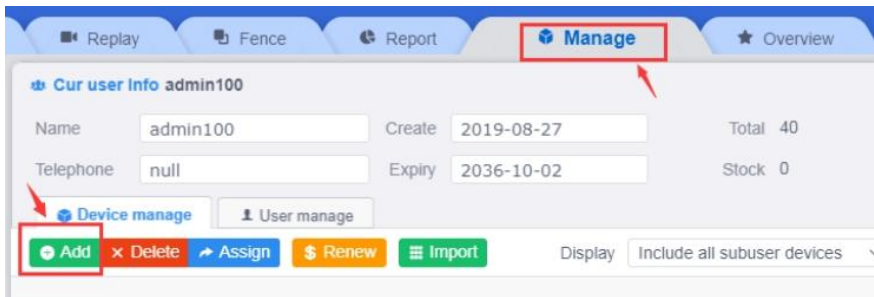
2.1.2 Fill in the registration information.



2.1.3log in



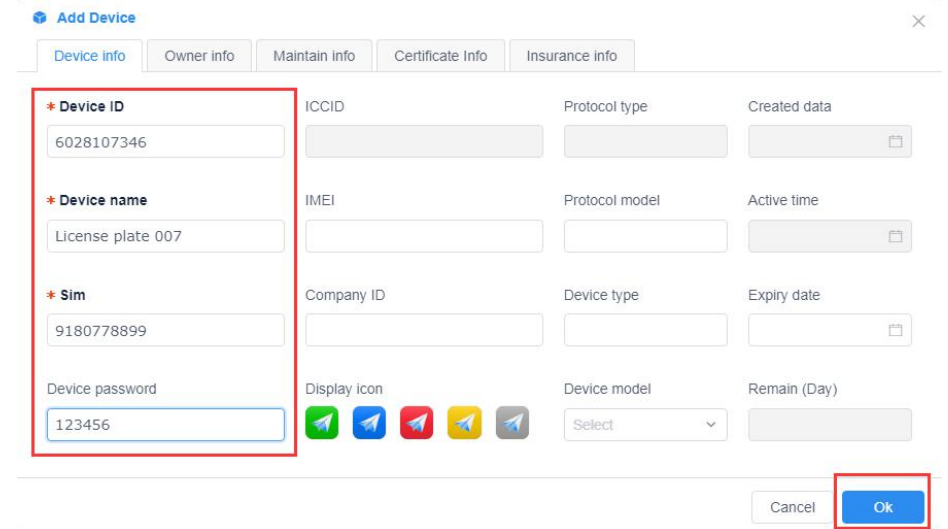
## 2.1.4 Add device ID and vehicle information



Device ID: the digits number on the device  
See below



Asset Name: Define by yourself  
Sim Card No.: The SIM card phone number you put into gps tracker  
IMEI password: default is 123456(Please use this password, if you log in Device ID)



## 2.2 APPLICATIONS FOR ANDROID/IOS

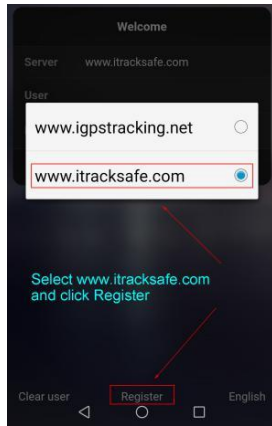
Search “iTracksafe plus“ in the Apple App Store&Google Play Store or Scan the QR Code to install the applications on your cell phone.

For Android\_ios



**Note: if you already register by computer , then log in by the account you register on computer directly, no need to register again on mobile phone.**

**2.2.1 Select the server URL and click the registration button.(Operation from iTracksafe Plus)**

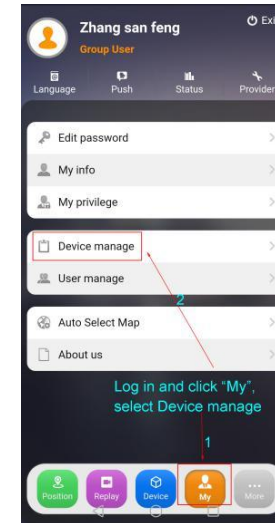


**2.2.2 Register login group user name via yourself,you can manage multi-devices in one account.**

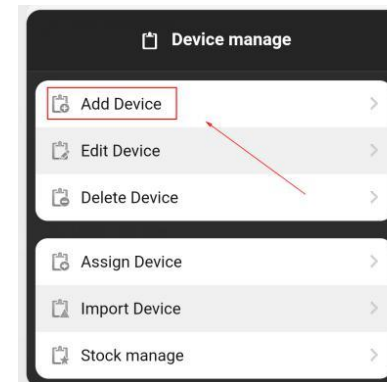
**Fill in the login user name, password, your name, phone number, email address, etc. and submit it.**



**2.2.3 Log in and select "My", then select "Device Manage".**



**2.2.4 Add Device**



Fill in the device ID, device name, phone card number in the device, etc., then click Add.

Device ID: the digits number on the device  
See below



**Add Device**

On the GPS tracker cover, you can find the ID. ID: 6028156755

ID \* 6028156755

Device name \* License plate 009

Sim \* 9180789789

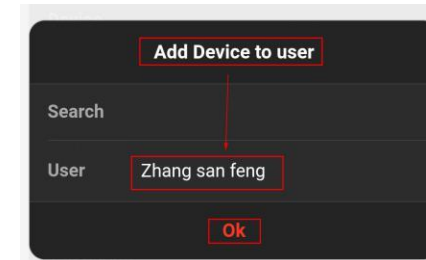
Company

Name

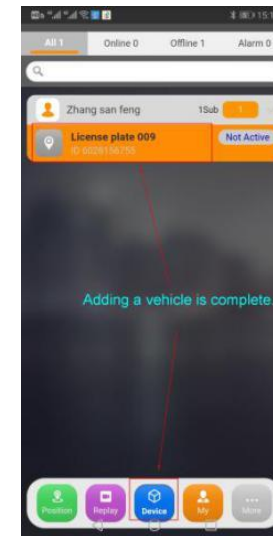
Telephone After filling out, Click "Add"

Address

**Add** **Cancel**



2.2.5 Click "Device", the device is added.



2.2.6 Insert a SIM card support GSM/GPRS network into the slot. Place GPS tracker in an open space without building obstruction, and connect the power supply. The device will work fine in a few minutes.



### 3. Other SMS commands

#### 3.1 Vehicle oil pump power supply(Available for (MT-1C/1X)/A1X/AS01)

Cut vehicle oil pump power supply: 940+password

Eg: 9400000

Vehicle oil pump power supply will cut.

Recover vehicle oil pump power supply: 941+password

Eg:9410000

Vehicle oil pump power supply will recover.

#### 3.3 Set server IP address and Port

Command: 804+user password+space+IP+space+Port

Eg: 8040000 s2.itracksafe.com 8000

Reply: SET SERVER IP AND PORT OK

#### 3.4. Set Data upload interval time

Command: 805+user password+Space+X

Eg: 8050000 12

Reply: SET OK

Device will upload location to platform every 12 seconds **when car acc is on(moving)**.

Command: 809+user password+Space+X

Eg: 8090000 300

Reply: SET OK

Device will upload location to platform every 300 seconds **when car acc is off(Stopped)**.

#### 3.5 Set Shock Alarm (Available for MT-1C/1X)/A1X/AS01/AS3R/AS2000+)

First wire the gps tracker acc cable correct, when the car parks more than 10 minutes not move, and acc off, device will enter into defence alarm, if there's any continuous shock more than 5 seconds, device will send shock alarm SMS to controller phone number .

**Remark:Do not put country code when set controller Phone number**

##### Step 1: Set controller phone number

Command: controller phone number+ user password +space+Sequence number (1-3)

Eg: 234098770000 1

Reply : SET USER NUMBER 1 OK.

The controller phone number 1 will be 23409877

Eg: 222198770000 2

Reply : SET USER NUMBER 2 OK.

The controller phone number 2 will be 22219877

Eg: 256908770000 3

Reply : SET USER NUMBER 3 OK.



The controller phone number 3 will be 25690877

**Step 2:Enable defense**

**Send: SF** Reply: SET OK

**Step 3:Enable shock alarm SMS.**

**Send: 125#** Reply: SET OK

**Delete number**

- D101# means to delete the first controller phone number
- D102# means to delete the second controller phone number
- D103# means to delete the third controller phone number
- C10# View the set controller phone number

**Disable Shock Alarm,send: CF**

Please contact us for more setup SMS instructions.

**4. Troubleshooting**

Problem	Answer
Why it said log in user name password error	Please choose correct server www.itracksafe.com
Why device show “unactivated” on platform	Please make sure you set ip port and APN correct, default IP is www.itracksafe.com,port 8000, APN:internet, kindly contact your sim card provider to get correct APN and set
Why device color is yellow on platform	Yellow means no valid gps signal, please put it in open area to get good gps signal
Why the location is not correct	Please make sure you set ip port apn correct, and gps tracker can get valid gps signal
Why it said “register fail”	Both device ID and Asset Name must be unique; and make sure you write correct device ID,if still

	register fail, please contact us
What type of sim card do i choose	Please put sim card which can support 2G network to gps tracker , make sure sim card has money in it and support gprs internet

**Thanks for using our products**

If you cannot solve the problem by yourself, please contact our technical support team by writing an E-Mail [service@i-trac.cn](mailto:service@i-trac.cn) to us. We will be pleased to help you.

**Follow us:**



**Facebook:**<https://www.facebook.com/itracksafe>



**Instagram:**<https://www.instagram.com/itracksafe>



**YouTube:**<https://www.youtube.com/c/iTracksafe>

**Official Accounts**



**Ascend Group Company Limited(i-Trac GPS)**

Address: 5th Floor, A3 Building, Baoying Industrial Zone, Wulian, Longgang District,  
Shenzhen 518116 China

Phone:+86-755-29042769

